



SPECIFICATION FOR TFT LCD MODULE

CUSTOMER : _____

CUSTOMER MODULE : _____

HG MODEL : HG043HV009

Preliminary Specification

Final Specification

Customer Confirmation column:

Approved by : _____ Dept. : _____ Data : _____

Please return one of the copies of the specification with your signature to us within two weeks after you receive this document. If it is not returned, we will assume that you agree to the entire contents of this specification document.

Designed by	Checked by	Approved by



TABLE OF CONTENT

- GENERAL SPECIFICATIONS
- ABSOLUTE MAXIMUM RATINGS
- ELECTRICAL CHARACTERISTICS
- BACKLIGHT CHARACTERISTICS
- DIMENSIONAL DRAWING
- INTERFACE PIN CONNECTIONS
- ELECTRO-OPTICAL CHARACTERISTICS
- INSPECTION CRITERIA
- RELIABILITY
- PRECAUTIONS FOR USING LCD MODULE
- USING LCD MODULES



1.0 General Specifications

HG043HV009 is a color active matrix LCD module incorporating amorphous silicon TFT (Thin Film Transistor). It is composed of a color TFT-LCD panel, driver IC, FPC and a back light unit. The module display area contains 480x272 pixels. This product accords with RoHS environmental criterion.

Item	Contents	Unit
LCD Type	TFT TRANSMISSIVE	/
Viewing direction	All Viewing direction	O' Clock
Module outline (W x HxD)	105.40x67.10x2.9	mm
Active area (WxH)	95.04x53.856	mm
Number of Dots	480(RGB) x272	/
Driver IC	TBD	/
Number of leds	7 LED	/
Interface Type	Serial RGB 24bit	/



2.0 ABSOLUTE MAXIMUM RATINGS

<i>Parameter</i>	<i>Symbol</i>	<i>Min</i>	<i>Max</i>	<i>Unit</i>
Supply voltage for logic	Vcc	-0.3	4.5	V
Input voltage	Vin	-0.3	VCC+ 0.3	V
Operating temperatur	Top	-20	60	°C
Storage temperature	Tst	-30	70	°C
Humidity	RH	--	90%(Max60C)	RH

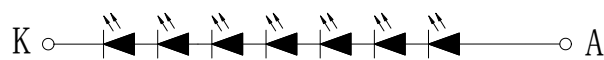
3.0 ELECTRICAL CHARACTERISTICS

<i>Parameter</i>	<i>Symbol</i>	<i>Min</i>	<i>Typ</i>	<i>Max</i>	<i>Unit</i>
Supply voltage for logic	Vcc -Vss	3.0	3.3	3.6	V
Input Current	Idd	4	10	-	mA

4.0 The characteristics of the module

<i>Item</i>	<i>Symbol</i>	<i>Min</i>	<i>Typ</i>	<i>Max</i>	<i>Unit</i>	<i>Condition</i>
Forward voltage	Vf	20	21	22.4	V	If=20mA
Luminance	Lv		500		cd/m2	
Number of LED	--		10		Piece	--
Connection mode	P				--	--

LED CIRCUIT DIAGRAM:

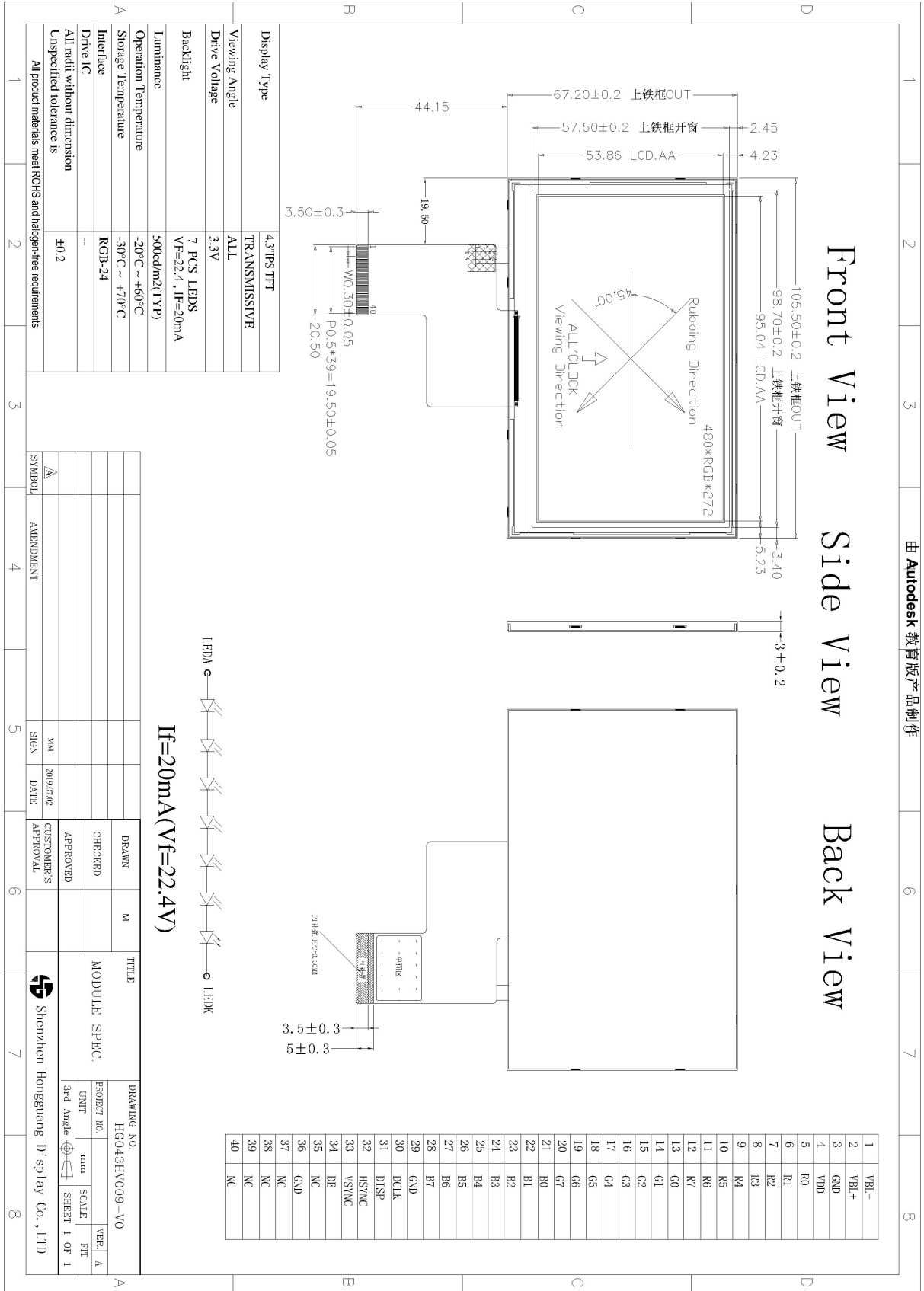


7串; VF=22.4V; IF=20MA



5.0 DIMENSIONAL DRAWING

由 Autodesk 教育版产品制作



由 Autodesk 教育版产品制作



6.0 INTERFACE PIN CONNECTIONS

<i>Pin.No</i>	<i>Symbol</i>	<i>Function</i>
1	LEDK	back light power supply negative
2	LEDA	back light power supply positive
3	GND	Ground
4	VCC	Power supply
5-12	R0-R7	Red Data
13-20	G0-G7	Green Data
21-28	B0-B7	Blue Data
29	GND	Ground
30	CLK	Colock signal
31	DISP	Display on/off
32	HSYNC	Horizontal sync input in RGB mode(short to GND if not used)
33	VSYNC	Vertical sync input in RGB mode(short to GND if not used)
34	DE	Data enable
35	NC	No Connection
36	GND	Ground
37	XR	Touch panel X-right
38	YD	Touch panel Y-bottom
39	XL	Touch panel X-left
40	YU	Touch panel Y-upl

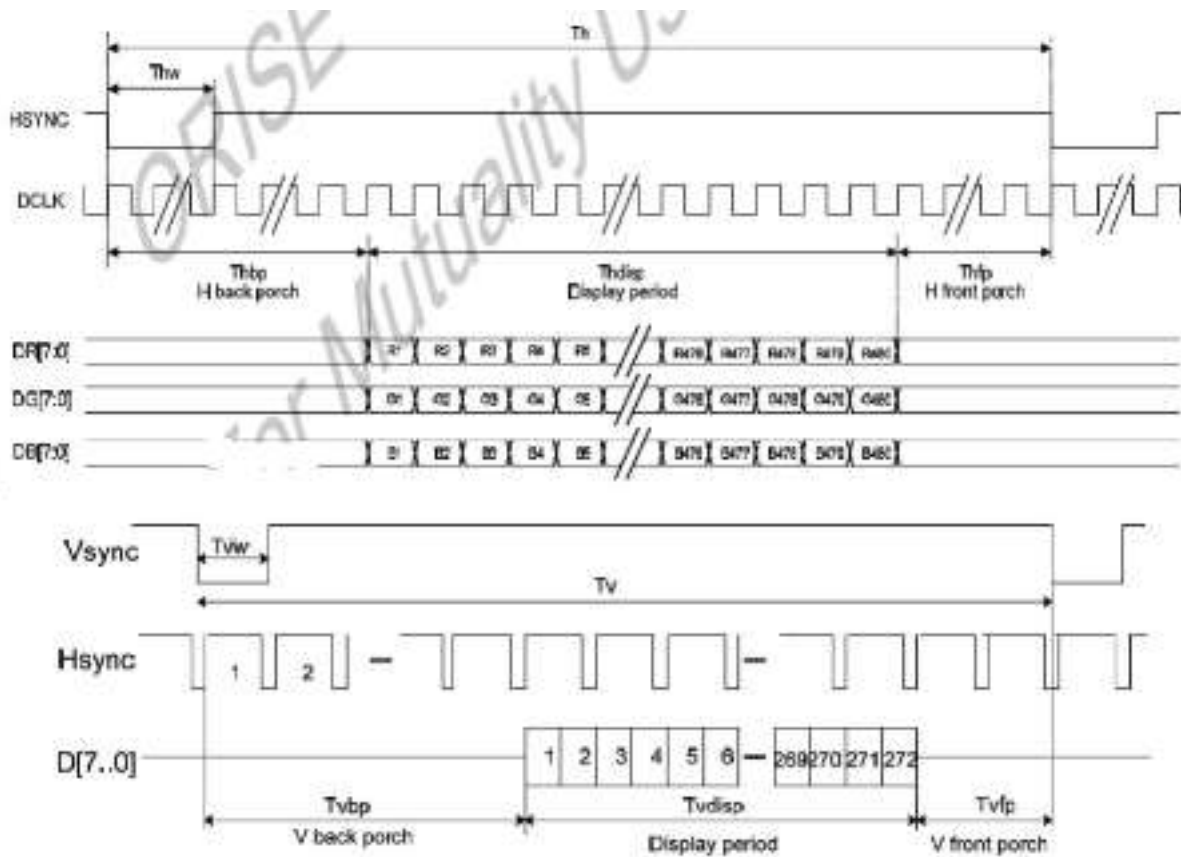


6.1 Timing characteristics

6.1.1 Serial 8-bit RGB input timing table

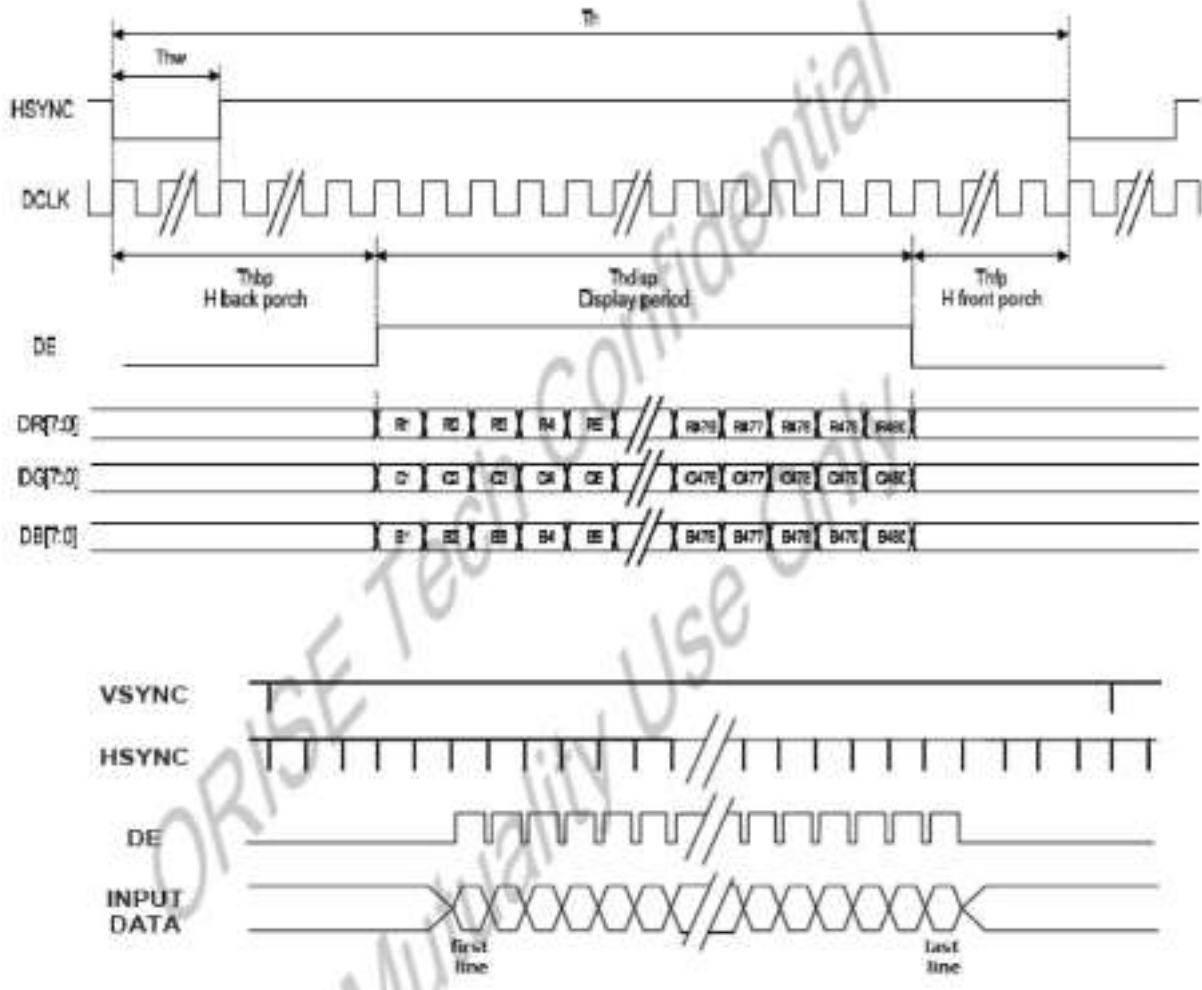
Item	Symbol	Min.	Typ.	Max.	Unit	
DCLK Frequency	Fclk	5	9	12	MHz	
DCLK Period	Tclk	83	110	200	ns	
Hsync	Period Time	Th	531	605	DCLK	
	Display Period	Thdisp	480		DCLK	
	Back Porch	Thbp	8	43	DCLK	By H_BLANKING setting
	Front Porch	Thfp	2	8	DCLK	
	Pulse Width	Thw	1		DCLK	
Vsync	Period Time	Tv	288	335	H	
	Display Period	Tvdisp	272		H	
	Back Porch	Tvbp	2	12	H	By V_BLANKING setting
	Front Porch	Tvfp	1	4	H	
	Pulse Width	Tvw	1	10	H	

6.1.2 SYNC mode timing diagram





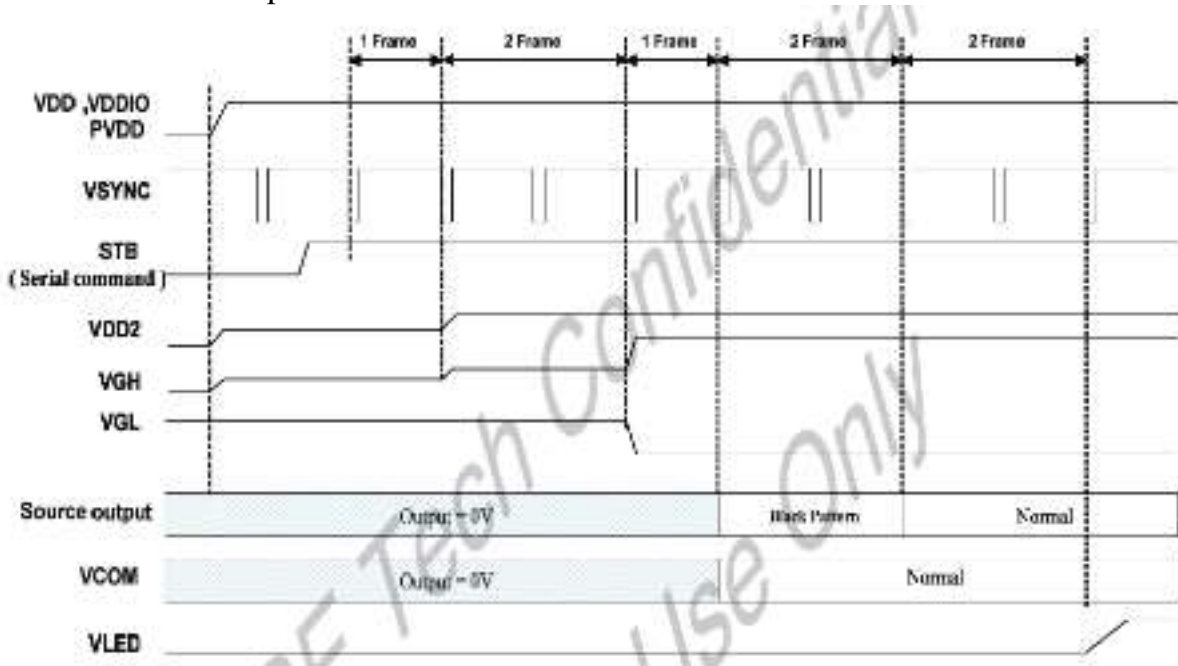
6.1.3 SYNC-DE mode timing diagram



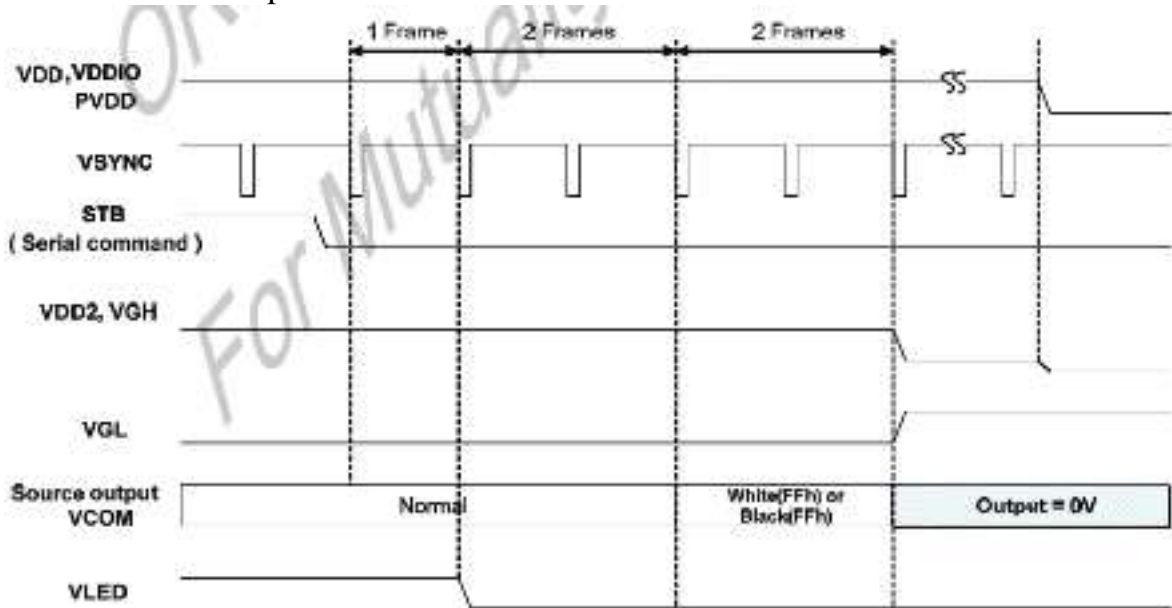


6.2. POWER ON/OFF SEQUENCE

6.2.1 Power on sequence



6.2.2 Power off sequence

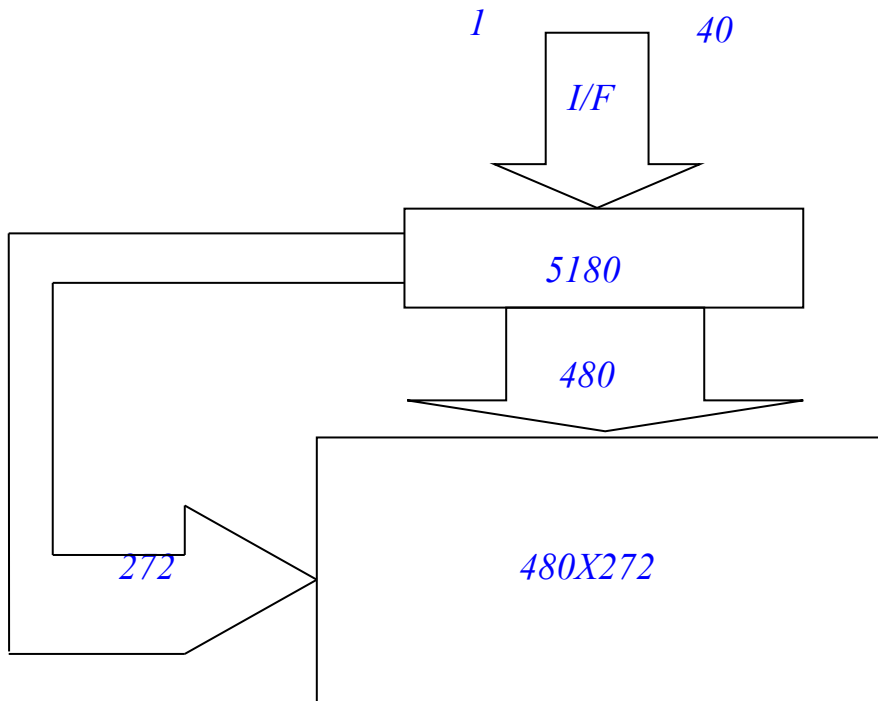


Note:

- a. When normally-black LC is used, please send black pattern to discharge the panel.
- b. When normally-white LC is applied, please send white pattern to discharge the panel.



6.3 BLOCK DIAGRAM OF LCM

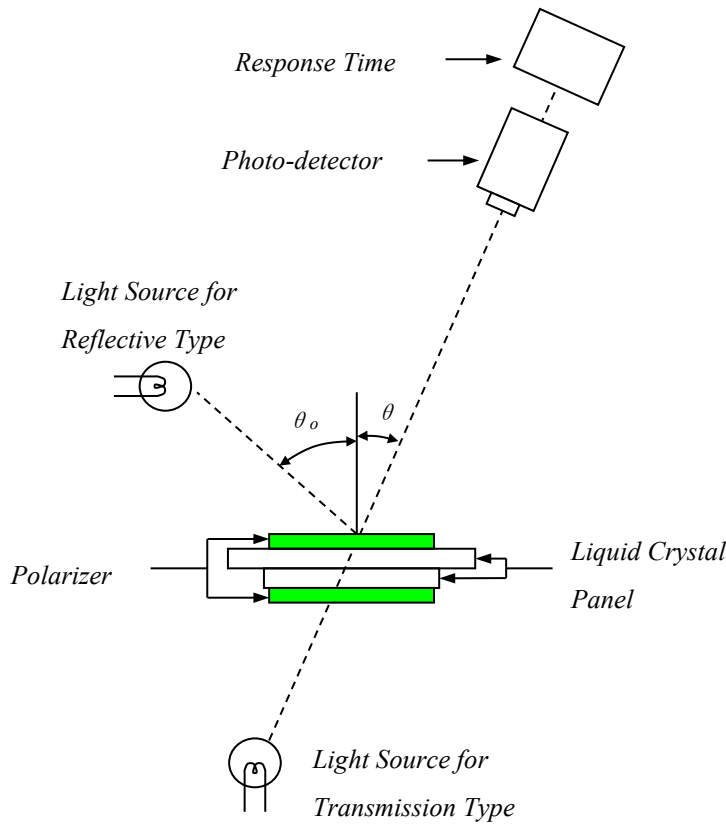


7. ELECTRO-OPTICAL CHARACTERISTICS

Item	Symbol	Condition	Min.	Typ.	Max.	Unit	Note	
Transmittance (with Polarizer)	T (%)	$\Theta=0$ Normal viewing angle	—	(6.6)	—	%	Measuring with normal polarizer · Reference Only Base on $V_{op}=5.1V$	
Transmittance (without Polarizer)	T (%)		—	(23.45)	—	%		
Contrast Ratio	CR		640	800	—	—		(1)(2)
Response Time	T_{R}, T_{F}		—	30	40	msec		(1)(3)
Color Gamut	(%)	$\Theta=0$ Normal viewing angle	45	50	—	%	C-light	
Color Chromaticity (CIE1931)	White		W_x	—	(0.320)	—	—	(1)(4) CF glass C-light
			W_y	—	(0.345)	—	—	
	Red		R_x	—	(0.629)	—	—	
			R_y	—	(0.326)	—	—	
	Green		G_x	—	(0.337)	—	—	
			G_y	—	(0.546)	—	—	
	Blue		B_x	—	(0.136)	—	—	
		B_y	—	(0.143)	—	—		
Viewing Angle	Hor.	Θ_L	70	80	—	—	(1)(4) Measuring with normal polarizer · Reference Only	
		Θ_R	70	80	—			
	Ver.	Θ_U	70	80	—			
		Θ_D	70	80	—			
Optima View Direction			Free				(5)	

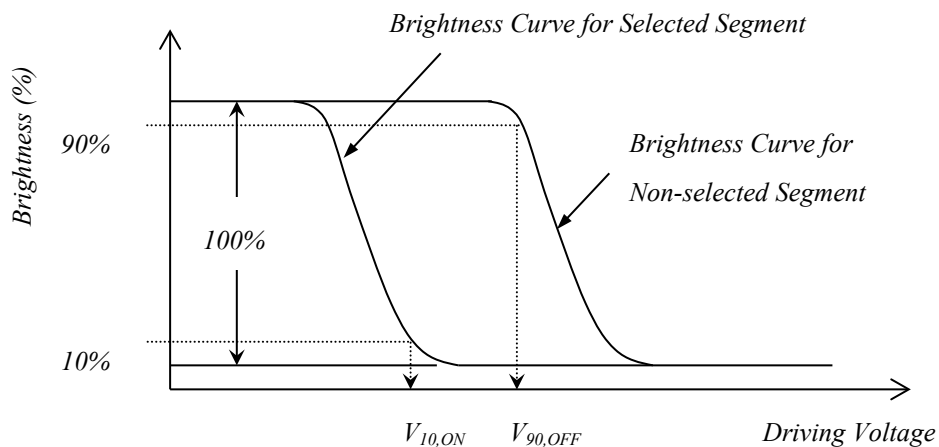


7.1 ELECTRO-OPTICAL CHARACTERISTICS TEST METHOD



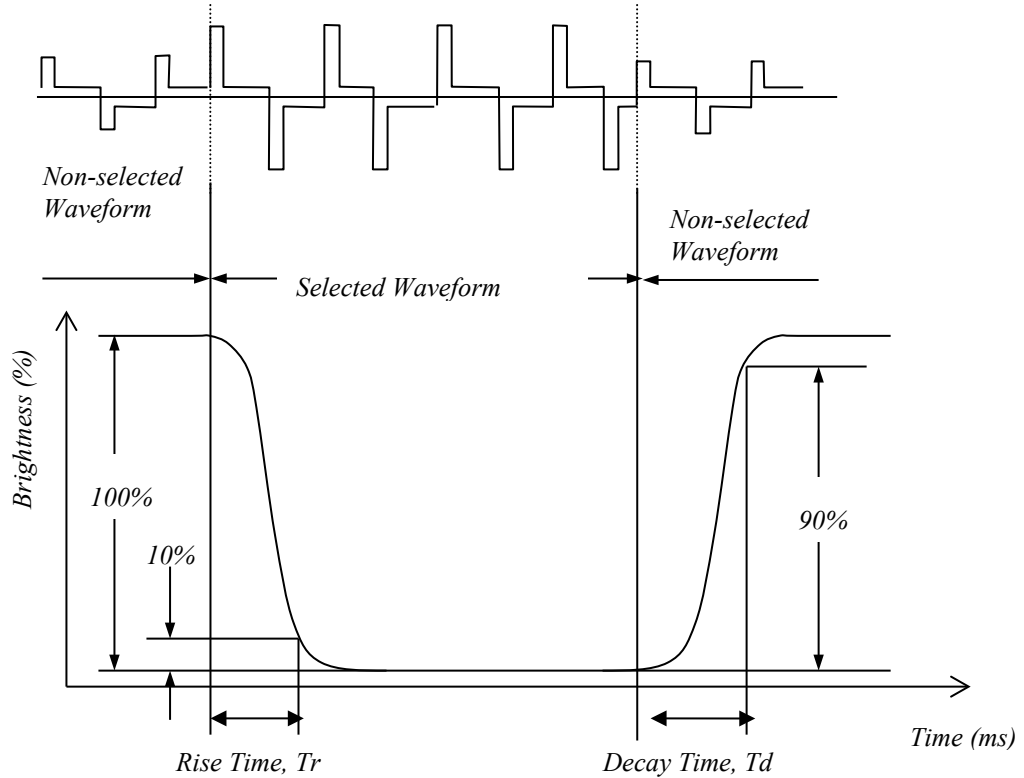
7.2 DEFINITION OF OPERATING VOLTAGE, VOP

$$V_{op} = (V_{10,ON} + V_{90,OFF})/2$$

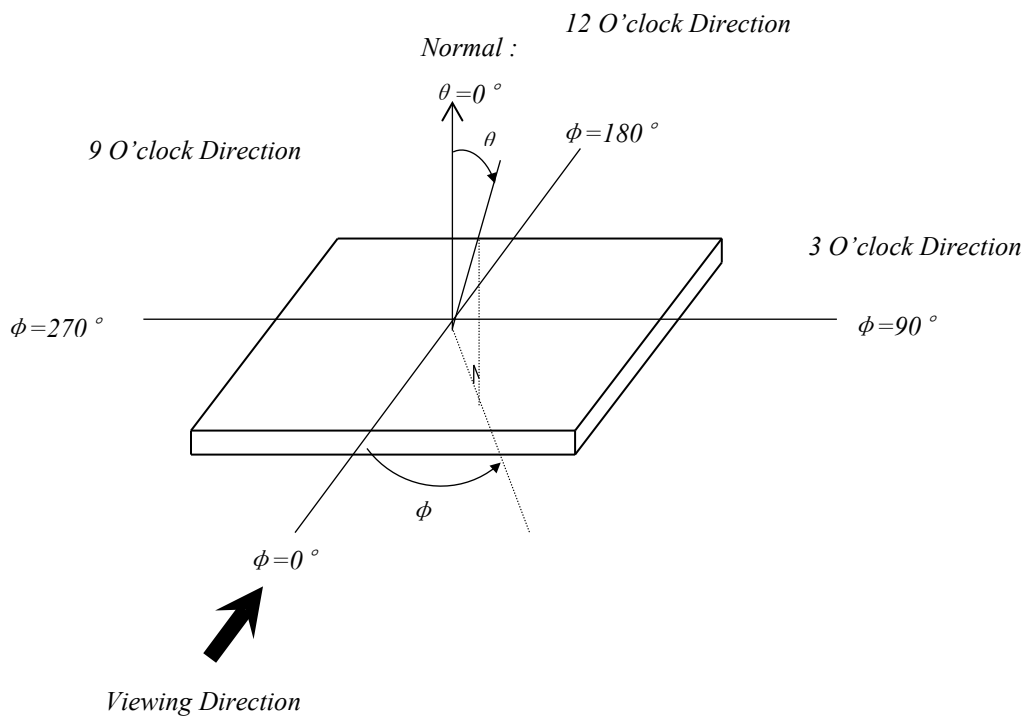




7.3 DEFINITION OF OPTICAL RESPONSE TIME



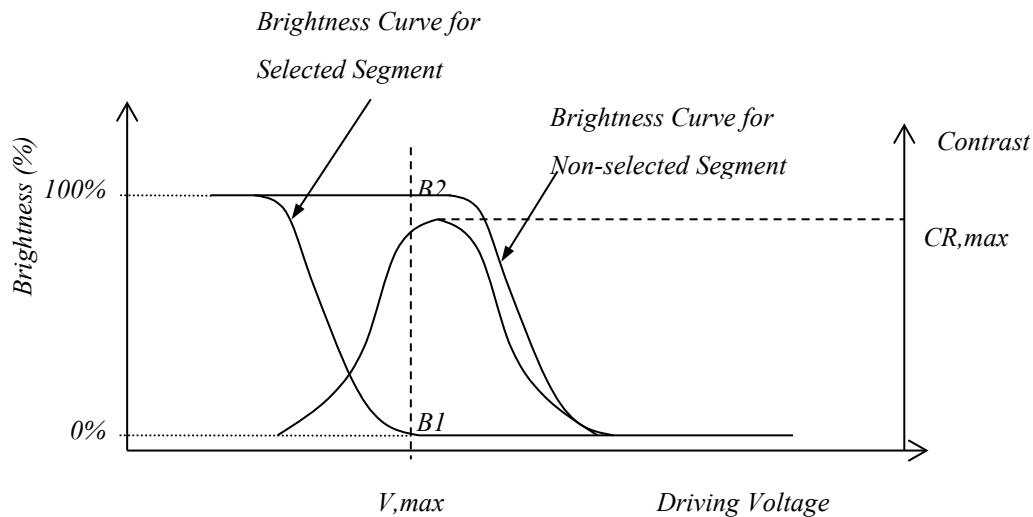
7.4 DEFINITION OF VIEWING ANGLE θ AND ϕ





7.5 DEFINITION OF CONTRAST RATIO, CR

$$CR = \frac{\text{Brightness of Non-selected Segment (B2)}}{\text{Brightness of Selected Segment (B1)}}$$



8. INSPECTION CRITERIA

8.1 Inspection Conditions

8.1.1 Environmental conditions

The environmental conditions for inspection shall be as follows

Room temperature: $20 \pm 3^{\circ}\text{C}$

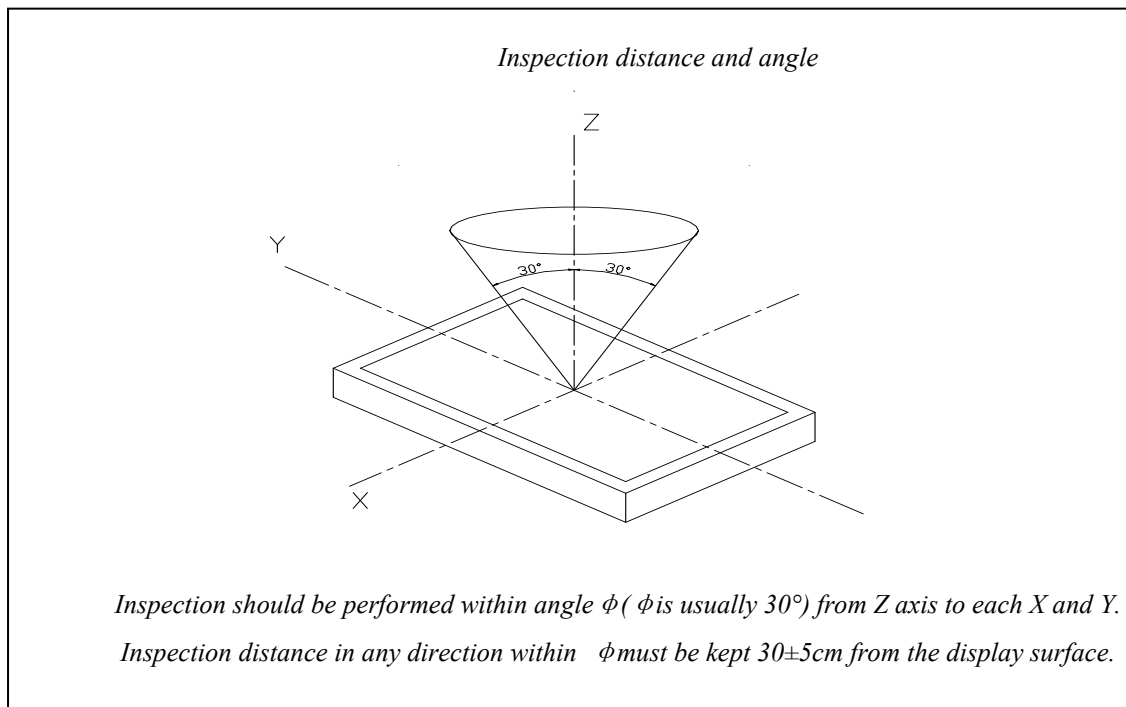
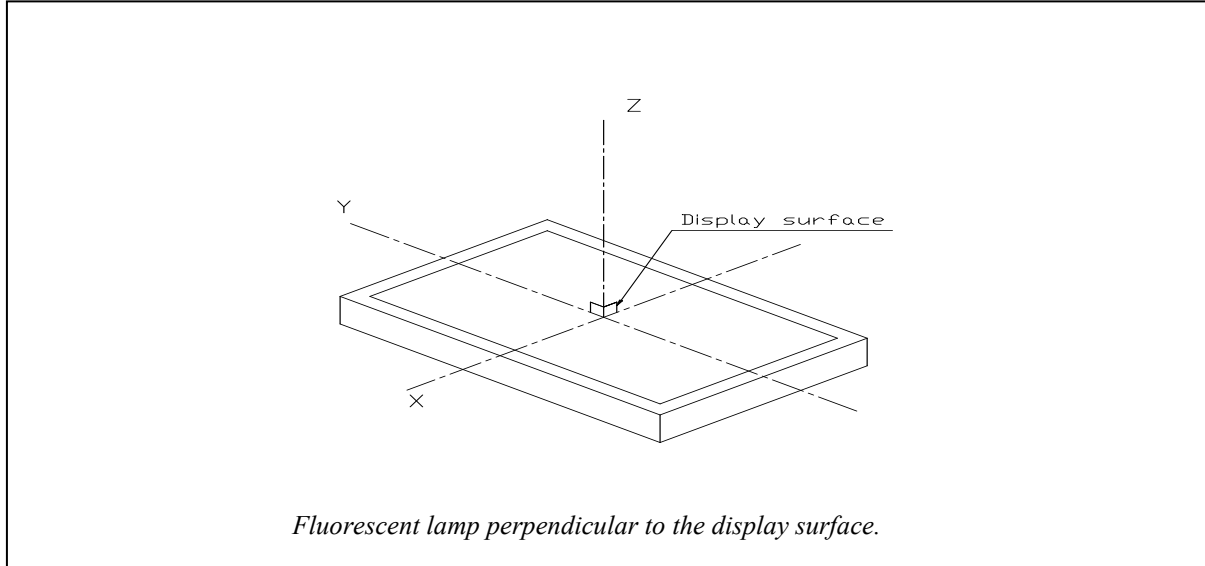
Humidity: $65 \pm 20\%RH$

8.1.2 The external visual inspection

With a single 20-watt fluorescent lamp as the light source, the inspection was in the distance of 30cm or more from the LCD to the inspector's eyes .



8.2 LIGHT METHOD



8.3 Classification of defects

9.3.1 Major defect

A major defect refers to a defect that may substantially degrade usability for product applications.



9.3.2 Minor defect

A minor defect refers to a defect which is not considered to be able substantially degrade the product application or a defect that deviates from existing standards almost unrelated to the effective use of the product or its operation.

9. RELIABILITY

9.1 MTBF

The LCD module shall be designed to meet a minimum MTBF value of 50000 hours with normal. (25°C in the room without sunlight)

9.2 TESTS

NO.	Test Item	Test condition	Criterion
1	High Temperature Storage	70°C±2°C 96H Restore 2H at 25°C Power off	After testing, cosmetic and electrical defects should not happen.
2	Low Temperature Storage	-30°C±2°C 96H Restore 2H at 25°C Power off	
3	High Temperature Operation	60°C±2°C 96H Restore 2H at 25°C Power on	
4	Low Temperature Operation	-20°C±2°C 96H Restore 2H at 25°C Power on	
5	High Temperature & Humidity Operation	60°C±2°C 90%RH 96H Power on	
6	Temperature Cycle	--30°C ↔ 25°C ↔ 80°C 30min 5min 30min after 10cycle, Restore 2H at 25°C Power off	
7	Vibration Test	10Hz~150Hz, 100m/s ² , 120min	
8	Shock Test	Half-sinewave, 300m/s ² , 11ms	
9	Drop Test(package state)	800mm, concrete floor, 1corner, 3edges, 6 sides each time	



10. PRECAUTIONS FOR USING LCD MODULE

10.1 HANDLING PRECAUTIONS

- (1) *The display panel is made of glass. Do not subject it to a mechanical shock or impact by dropping it.*
- (2) *If the display panel is damaged and the liquid crystal substance leaks out, be sure not to get any in your mouth. If the substance contacts your skin or clothes, wash it off using soap and water.*
- (3) *Do not apply excessive force to the display surface or the adjoining areas since this may cause the color tone to vary.*
- (4) *The polarizer covering the display surface of the LCD module is soft and easily scratched. Handle this polarizer carefully.*
- (5) *If the display surface becomes contaminated, breathe on the surface and gently wipe it with a soft dry cloth. If it is heavily contaminated, moisten a cloth with one of the following solvents:
 - Isopropyl alcohol
 - Ethyl alcohol*
- (6) *Solvents other than those above mentioned may damage the polarizer.*
Especially, do not use the following:
 - Water
 - Ketone
 - Aromatic solvents
- (7) *Extra care to minimize corrosion of the electrode. Water droplets, moisture condensation or a current flow in a high-humidity environment accelerates corrosion of the electrode.*
- (8) *Install the LCD Module by using the mounting holes. When mounting the LCD Module, make sure it is free of twisting, warping and distortion. In particular, do not forcibly pull or bend the I/O cable or the backlight cable.*
- (9) *Do not attempt to disassemble or process the LCD Module.*
- (10) *NC terminal should be open. Do not connect anything.*
- (11) *If the logic circuit power is off, do not apply the input signals.*
- (12) *To prevent destruction of the elements by static electricity, be careful to maintain an optimum work environment.*
 - *Be sure to ground the body when handling the LCD Module.*
 - *Tools required for assembling, such as soldering irons, must be properly grounded.*
 - *To reduce the amount of static electricity generated, do not conduct assembling and other work under dry conditions.*
 - *The LCD Module is coated with a film to protect the display surface. Exercise care when peeling off this protective film since static electricity may be generated.*



10.2 STORAGE PRECAUTIONS

When storing The LCD Module, avoid exposure to direct sunlight of fluorescent lamps. Keep the modules in bags (avoid high temperature/ high humidity and low temperatures below 0 °C). Whenever possible, the LCD Module should be stored in the same conditions in which they were shipped from our company.

10.3 OTHERS

Liquid crystals solidify under low temperature (below the storage temperature range) leading to defective orientation or the generation of air bubbles (black or white). Air bubbles may also be generated if the module is subject to a low temperature.

If the LCD Module have been operating for a long time showing the same display patterns the display patterns may remain on the screen as ghost images and a slight contrast irregularity may also appear. A normal operating status can be recovered by suspending use for some time. It should be noted that this phenomenon does not adversely affect performance reliability.

To minimize the performance degradation of the LCD Module resulting from destruction caused by static electricity etc. exercise care to avoid holding the following sections when handling the modules.

- Exposed area of the printed circuit board.*
- Terminal electrode sections.*

11. USING LCD MODULES

11.1 LIQUID CRYSTAL DISPLAY MODULES

LCD is composed of glass and polarizer. Pay attention to the following items when handling.

- (1) Please keep the temperature within specified range for use and storage. Polarization degradation, bubble generation or polarizer peel-off may occur with high temperature and high humidity.*
- (2) Do not touch, push or rub the exposed polarizers with anything harder than a HB pencil lead (glass, tweezers, etc).*
- (3) N-hexane is recommended for cleaning the adhesives used to attach front/rear polarizers and reflectors made of organic substances, which will be damaged by chemicals such as acetone, toluene, toluene, ethanol and isopropyl alcohol.*
- (4) When the display surface becomes dusty, wipe gently with absorbent cotton or other soft material like chamois soaked in petroleum ether. Do not scrub hard to avoid damaging the display surface.*
- (5) Wipe off saliva or water drops immediately, contact with water over a long period of time may cause deformation or color fading.*
- (6) Avoid contacting oil and fats.*
- (7) Condensation on the surface and contact with terminals due to cold will damage, stain or polarizers. After products are tested at low temperature they must be warmed up in a container before coming is contacting with room*



temperature air.

- (8) Do not put or attach anything on the display area to avoid leaving marks on.*
- (9) Do not touch the display with bare hands. This will stain the display area and degrade insulation between terminals (some cosmetics are determinate to the polarizers).*
- (10) As glass is fragile, it tends to become or chipped during handling especially on the edges. Please avoid dropping or jarring.*

11.2 INSTALLING LCD MODULE

Attend to the following items when installing the LCM.

- (1) Cover the surface with a transparent protective plate to protect the polarizer and LC cell.*
- (2) When assembling the LCM into other equipment, the spacer to the bit between the LCM and the fitting plate should have enough height to avoid causing stress to the module surface, refer to the individual specifications for measurements. The measurement tolerance should be $\pm 0.1\text{mm}$.*

11.3 ELECTRO-STATIC DISCHARGE CONTROL

Since this module uses a CMOS LSI, the same careful attention should be paid for electrostatic discharge as for an ordinary CMOS IC.

- (1) Make certain that you are grounded when handing LCM.*
- (2) Before removing LCM from its packing case or incorporating it into a set, be sure the module and your body have the same electric potential.*
- (3) When soldering the terminal of LCM, make certain the AC power source for the soldering iron does not leak.*
- (4) When using an electric screwdriver to attach LCM, the screwdriver should be of ground potentiality to minimize as much as possible any transmission of electromagnetic waves produced sparks coming from the commutator of the motor.*
- (5) As far as possible, make the electric potential of your work clothes and that of the workbenches to the ground potential.*
- (6) To reduce the generation of static electricity, be careful that the air in the work is not too dried. A relative humidity of 50%-60% is recommended.*

11.4 PRECAUTION FOR SOLDERING TO THE LCM

- (1) Observe the following when soldering lead wire, connector cable and etc. to the LCM.*
 - Soldering iron temperature: $280 \pm 10^\circ\text{C}$.*
 - Soldering time: 3-4 sec.*
 - Solder: eutectic solder.*



If soldering flux is used, be sure to remove any remaining flux after finishing to soldering operation. (This does not apply in the case of a non-halogen type of flux.) It is recommended that you protect the LCD surface with a cover during soldering to prevent any damage due to flux spatters.

- (2) When soldering the electroluminescent panel and PC board, the panel and board should not be detached more than three times. This maximum number is determined by the temperature and time conditions mentioned above, though there may be some variance depending on the temperature of the soldering iron.*
- (3) When removing the electroluminescent panel from the PC board, be sure the solder has completely melted, otherwise the soldered pad on the PC board could be damaged.*

11.5 PRECAUTIONS FOR OPERATION

- (1) Viewing angle varies with the change of liquid crystal driving voltage (V_o). Adjust V_o to show the best contrast.*
- (2) Driving the LCD in the voltage above the limit will shorten its lifetime.*
- (3) Response time is greatly delayed at temperature below the operating temperature range. However, this does not mean the LCD will be out of the order. It will recover when it returns to the specified temperature range.*
- (4) If the display area is pushed hard during operation, the display will become abnormal. However, it will return to normal if it is turned off and then on.*
- (5) Condensation on terminals can cause an electrochemical reaction disrupting the terminal circuit. Therefore, it must be used under the relative condition of 40°C, 50% RH.*
- (6) When turning the power on, input each signal after the positive/negative voltage becomes stable.*

11.6 STORAGE

When storing LCDS as spares for some years, the following precaution are necessary.

- (1) Store them in a sealed polyethylene bag. If properly sealed, there is no need for desiccant.*
- (2) Store them in a dark place. Do not expose to sunlight or fluorescent light, keep the temperature between 0°C and 35°C.*
- (3) The polarizer surface should not come in contact with any other objects. (We advise you to store them in the container in which they were shipped.)*
- (4) Environmental conditions:*
 - Do not leave them for more than 168hrs. at 60 °C.*
 - Should not be left for more than 48hrs. at -20 °C.*

11.7 SAFETY

- (1) It is recommended to crush damaged or unnecessary LCDs into pieces and wash them off with solvents such as acetone and ethanol, which should later be burned.*
- (2) If any liquid leaks out of a damaged glass cell and comes in contact with the hands, wash off thoroughly with soap and water.*



11.8 LIMITED WARRANTY

Unless agreed between GIANTPLUS and customer, GIANTPLUS will replace or repair any of its LCD and modules which are found to be functionally defective when inspected in accordance with GIANTPLUS LCD acceptance standards (copies available upon request) for a period of one year from date of shipments. Cosmetic/visual defects must be returned to GIANTPLUS within 90 days of shipment. Confirmation of such date shall be based on freight documents. The warranty liability of GIANTPLUS is limited to repair and/or replacement on the terms set forth above. GIANTPLUS will not be responsible for any subsequent or consequential events.

11.9. RETURN LCM UNDER WARRANTY

No warranty can be granted if the precautions stated above have been disregarded. The typical examples of violations are:

- Broken LCD glass.*
- PCB eyelet's damaged or modified.*
- PCB conductors damaged.*
- Circuit modified in any way, including addition of components.*
- PCB tampered with by grinding, engraving or painting varnish.*
- Soldering to or modifying the bezel in any manner.*

Module repairs will be invoiced to the customer upon mutual agreement. Modules must be returned with sufficient description of the failures or defects. Any connectors or cable installed by the customer must be removed completely without damaging the PCB eyelet's conductors and terminals.